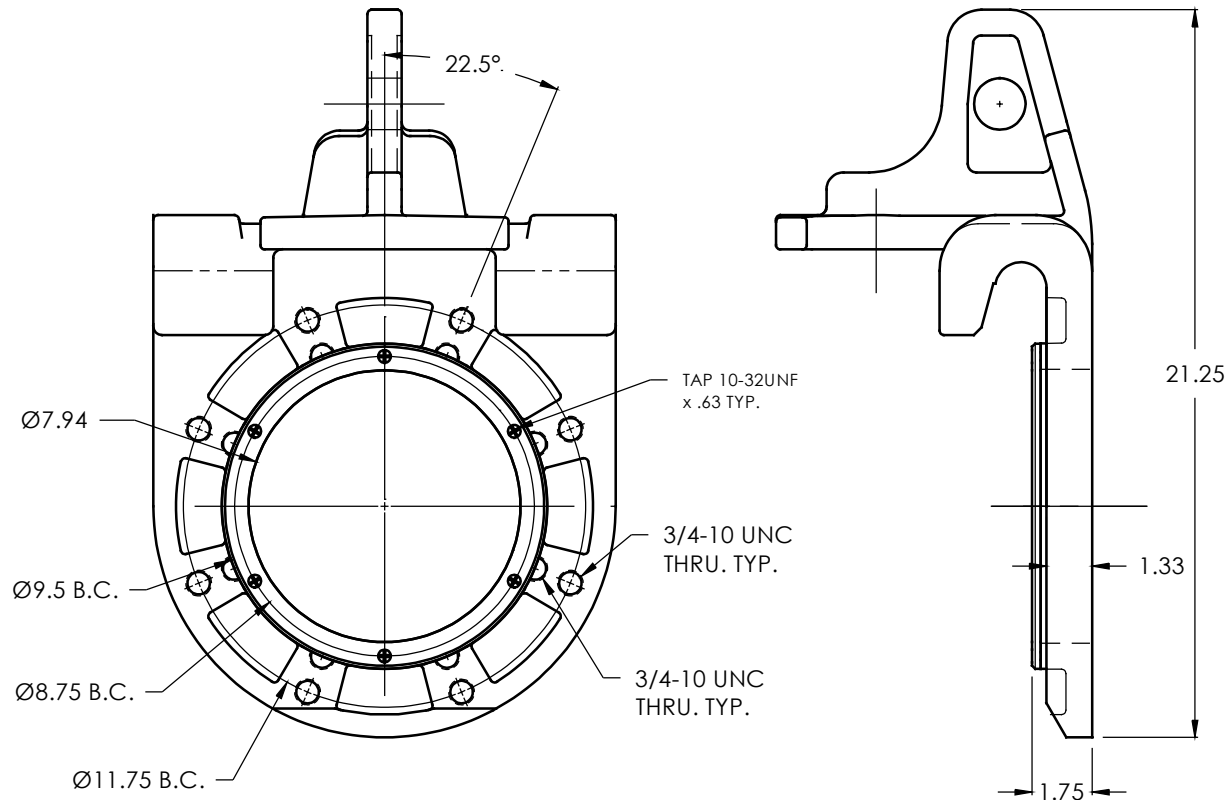
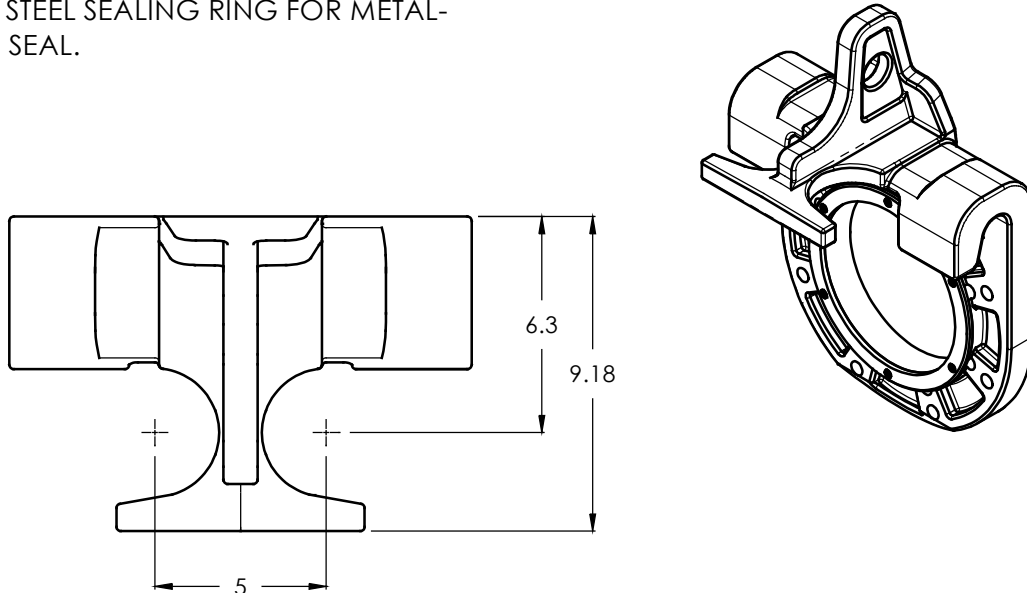


8" LIFT-OUT FLANGE

MODELS: FPPF800

LIFT-OUT-FLANGE COMES STANDARD WITH STAINLESS STEEL SEALING RING FOR METAL-TO-METAL SEAL.



MATERIAL COMPOSITION
LIFT-OUT FLANGE: 65-45-12 CAST DUCTILE IRON
SEALING RING: 304 STAINLESS STEEL
ALL HARDWARE IS 304 STAINLESS STEEL